

# Product data sheet

## Characteristics

# HMIDT542FC

Flat screen, Harmony GTU, 10.4 Touch Smart Display SVGA, coated display



Product availability: Non-Stock - Not normally stocked in distribution facility

Price\*: 3096.00 USD



### Main

Range of product	Harmony GTU
Product or component type	Flat screen
Terminal type	Touchscreen display
Integrated connection type	USB 2.0 type A

### Complementary

Pixel resolution	800 x 600
Touchscreen resolution	1024 x 1024
Provided equipment	1 flash card
Function available	Brightness sensor
[Us] rated supply voltage	12...24 V DC power supply
Supply voltage limits	10.8...28.8 V
Power consumption in W	15 W
Display size	10.4 inch
Display type	Colour TFT LCD
Display resolution	800 x 600 pixels SVGA
Display colour	16 million colours
Backlight lifespan	50000 hours
Touch panel	Multi touch analogue resistive
Type of installation	Indoor installation
Type of cooling	Natural convection
Inrush current	30 A
Cut-out dimensions	259 (+ 1/- 0) x 201 (+ 1/- 0) mm
Width	10.73 In (272.5 mm)
Height	8.44 In (214.5 mm)
Depth	2.64 In (67 mm)
Net weight	5.95 Lb(US) (2.7 kg)

## Environment

IP degree of protection	Front panel IP66
NEMA degree of protection	NEMA 4X front panel
Standards	UL 508
Product certifications	CE
Ambient air temperature for operation	32...140 °F (0...60 °C) EN 61131-2
Ambient air temperature for storage	-4...140 °F (-20...60 °C)
Pollution degree	2
Relative humidity	10...90 % non-condensing
Operating altitude	6561.68 ft (2000 m)
Vibration resistance	3.5 mm constant amplitude 5...9 Hz) EN/IEC 61131-2
Shock resistance	147 m/s <sup>2</sup> conforming to EN/IEC 61131-2
Electromagnetic compatibility	Electrostatic discharge immunity test level 3 EN/IEC 61000-4-2

## Ordering and shipping details

Category	22567 - MAGELIS HMI GTU
Discount Schedule	MC2
GTIN	03606480841668
Nbr. of units in pkg.	1
Package weight(Lbs)	8.82 Lb(US) (4 kg)
Returnability	No
Country of origin	CN

## Packing Units

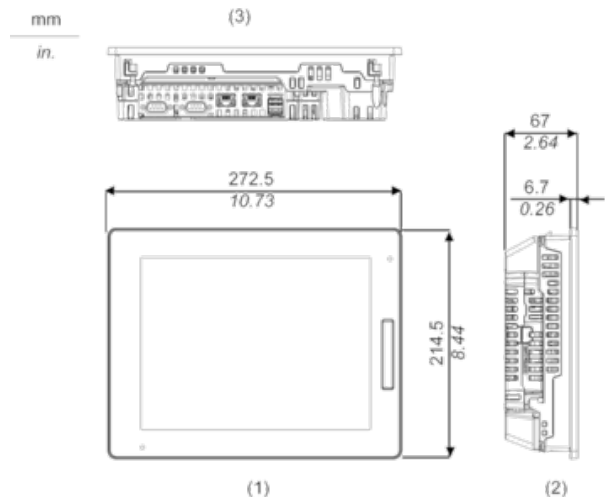
Unit Type of Package 1	PCE
Package 1 Height	7.48 In (19 cm)
Package 1 width	12.99 In (33 cm)
Package 1 Length	14.76 In (37.5 cm)

## Offer Sustainability

Sustainable offer status	Green Premium product
California proposition 65	WARNING: This product can expose you to chemicals including: Lead and lead compounds, which is known to the State of California to cause cancer and birth defects or other reproductive harm. For more information go to <a href="http://www.P65Warnings.ca.gov">www.P65Warnings.ca.gov</a>
REACH Regulation	<a href="#">REACH Declaration</a>
REACH free of SVHC	Yes
EU RoHS Directive	Pro-active compliance (Product out of EU RoHS legal scope) <a href="#">EU RoHS Declaration</a>
Mercury free	Yes
RoHS exemption information	<a href="#">Yes</a>
China RoHS Regulation	<a href="#">China RoHS Declaration</a>
WEEE	The product must be disposed on European Union markets following specific waste collection and never end up in rubbish bins.

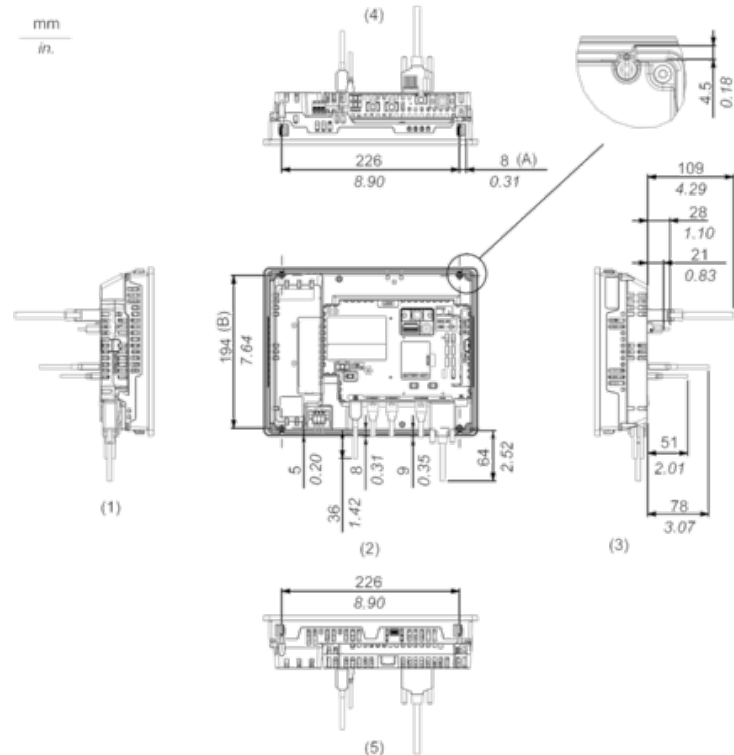
External Dimensions

Display Unit with Box Module



- 1 Front
- 2 Left
- 3 Bottom

Installation with Installation Fasteners and Dimensions with Cables

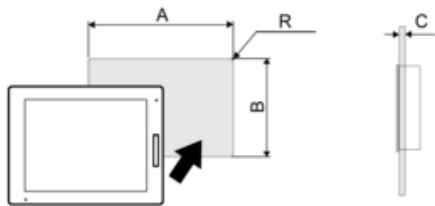


- (A) Rotation area of the fastener
- (B) Pitch of the center of installation fastner screws

- 1 Right
- 2 Front
- 3 Left
- 4 Bottom
- 5 Top

Mounting

Panel Cut Dimensions



Dimensions in mm

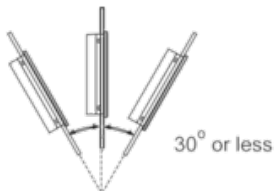
A	B	C	R
259 (+1/-0)	201 (+1/-0)	1.6...5	3 max.

Dimensions in in.

A	B	C	R
10.2 (+0.04/-0)	7.91 (+0.04/-0)	0.06...0.2	0.12 max.

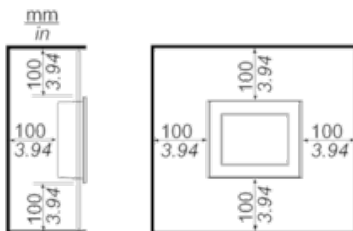
Installation Requirements

Mounting Angle



When installing this product in a slanted position with an incline more than 30°, the ambient temperature must not exceed 40 °C (104 °F). You may need to use forced air cooling (fan, A/C) to ensure the ambient operating temperature is 40 °C or less (104 °F or less).

Clearance



Product Life Status : **Commercialised**